



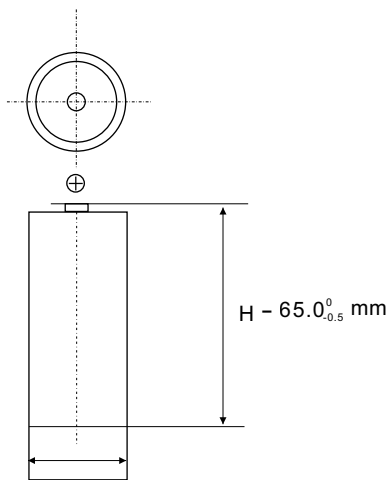
3,7V - 2200mAh



Specifications

Nominal Voltage:		3.7V	
Capacity ¹ (mAh)	0.2 C Discharge		
	Minimum ²	2000	
	Typical ³	2150	
Dimensions	mm		
	Diameter	18.3 ⁰ _{-0.3}	
	Height	65.0 ⁰ _{-0.5}	
Weight		Grams	
		44.0	
Internal Impedance		<80mΩ (After charge)	
Charge	Standard	1100mA(0.5C)x5hrs	
	Rapid	2200mA(1C)x2.5hrs	
Ambient temperature		°C	°F
	Charge	0~45°C	32~113°F
	Discharge	-20~60°C	-4~140°F
	Storage	-20~45°C	-4~113°F

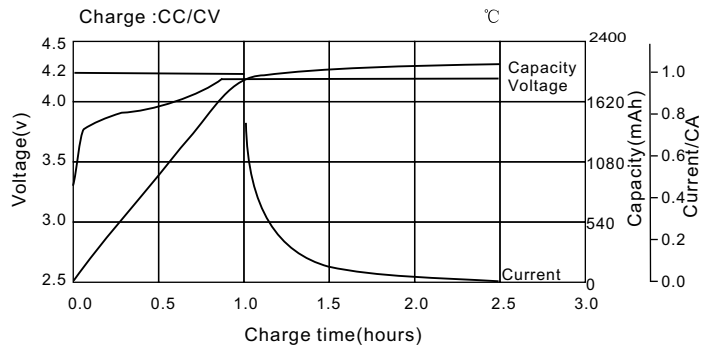
Dimensions(bare cell) (mm)



Note:

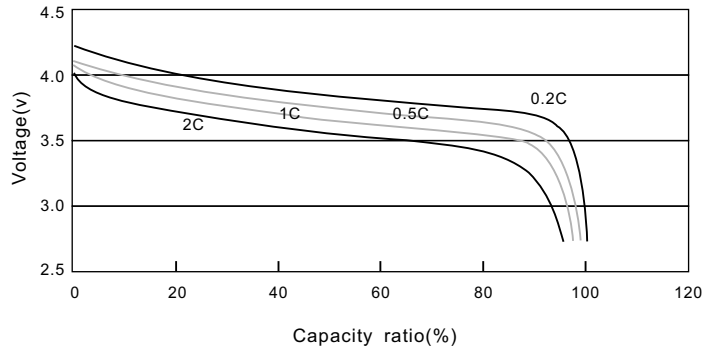
1. After charging at 1C for 2.5 hours.
 2. Nominal capacity, rated at 0.2C, 25°C / 77°F
 3. Average capacity, For reference only.
- Weight and internal impedance are for reference.

Charge characteristics 4.2V, 2200mA(1C)x2.5hrs, 25



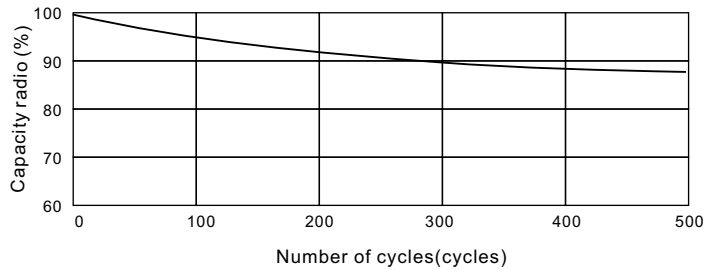
Discharge characteristics at various current

Charge:CC/CV4.2V,0.5C×3.5hrs,25°C/77°F
Discharge:Different Current to 2.75V



Cycle life characteristics

Charge:CC/CV4.2V,1C×2.5hrs,25°C/77°F
Discharge:Constant current,1C To 2.75V,25°C/77°F



Discharge characteristics at various temperature

Charge:CC/CV4.2V,0.5C×3.5hrs
Discharge:Constant Current,0.5C to 2.75V

